



Mercedes Sprinter 170 High Roof Extended

AUTOPLY INC INSULATION KIT SCHEMATIC – VOID KIT

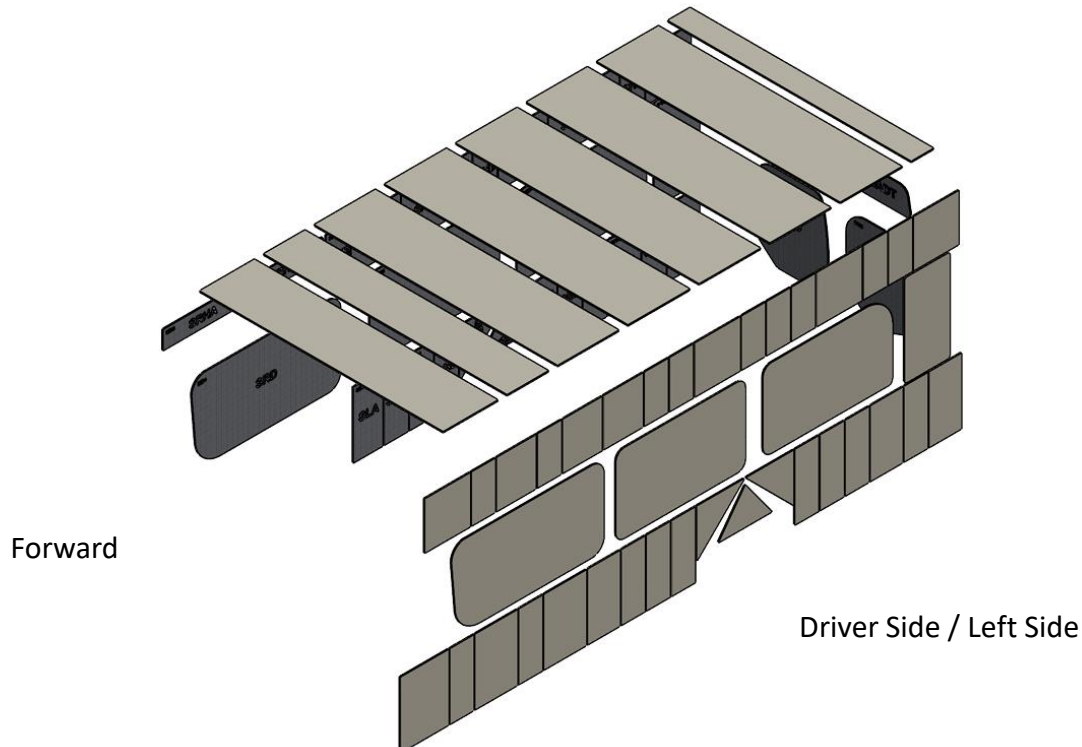
VEHICLE YEARS
2016 – Present

KIT NUMBER: 3000VX | KIT CONTENT: Ceiling, sides and doors / 80 pcs

Kits are organized and packaged by ceiling pieces, left side pieces and right side plus rear doors. Each group of patterns are separated by a sheet of paper for identification during unpackaging. It is recommended to lay each section out in accordance with the assembly views below prior to first time installations.



Assembly view A





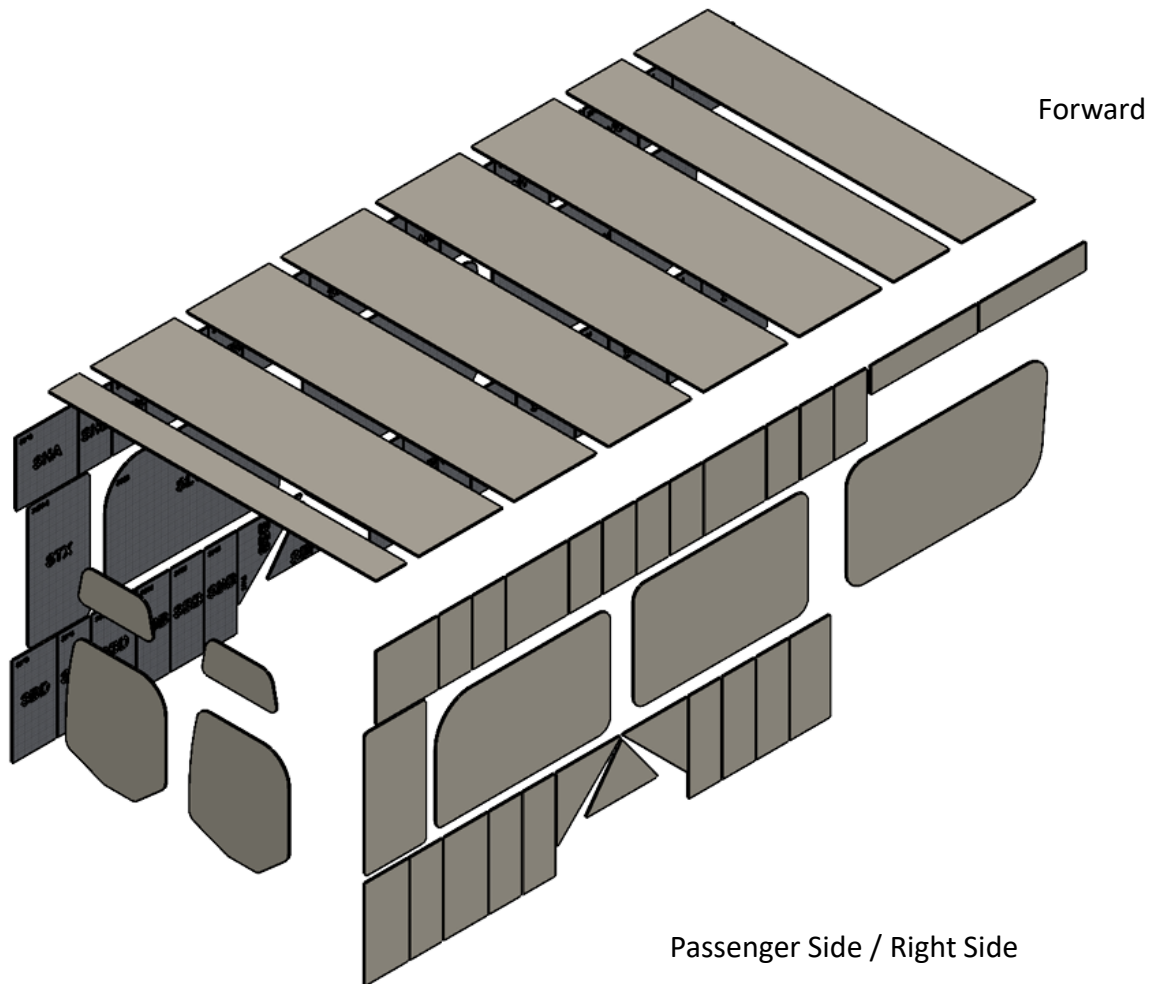
Mercedes Sprinter 170 High Roof Extended

AUTOPLY INC INSULATION KIT SCHEMATIC – VOID KIT

VEHICLE YEARS
2016 – Present

KIT NUMBER: 3000X | KIT CONTENT: Ceiling, sides and doors

Assembly view B





Mercedes Sprinter 170 High Roof Extended

AUTOPLY INC INSULATION KIT SCHEMATIC – VOID KIT

VEHICLE YEARS
2016 – Present

KIT NUMBER: 3000X | KIT CONTENT: Ceiling, sides and doors

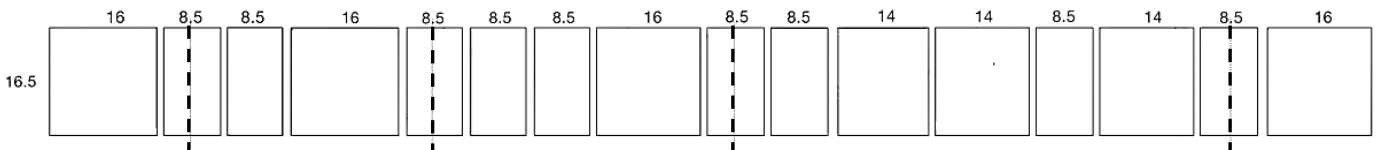
Void Assembly Details

Fold 8.5-inch pieces in half where indicated by dotted lines to install inside wall structures.



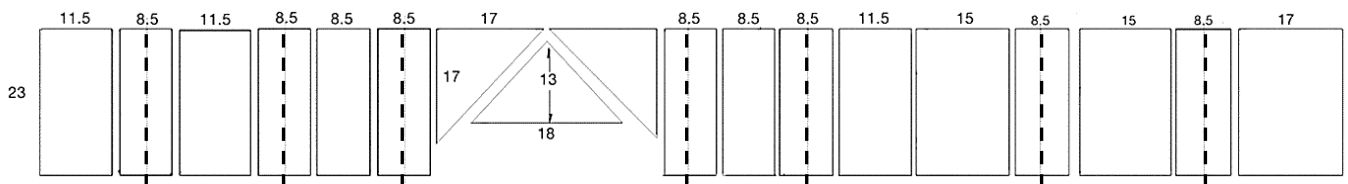
Upper Left / Driver's Side

Forward →



Lower Left / Driver's Side

Forward →





Mercedes Sprinter 170 High Roof Extended

AUTOPLY INC INSULATION KIT SCHEMATIC – VOID KIT

VEHICLE YEARS
2016 – Present

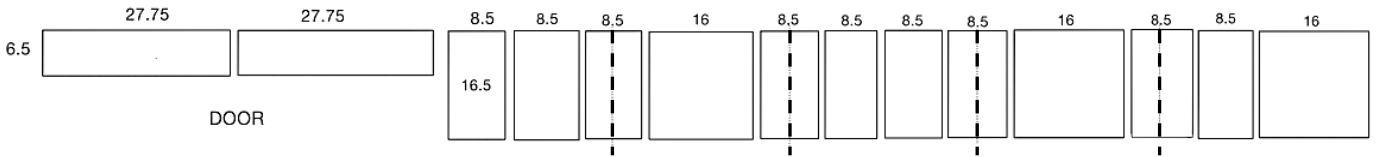
KIT NUMBER: 3000X | KIT CONTENT: Ceiling, sides and doors

Void Assembly Details

Fold 8.5-inch pieces in half where indicated by dotted lines to install inside wall structures.

← Forward

Upper Right / Passenger Side



← Forward

Lower Right / Passenger Side

